



ITEM #: _____ QTY: _____
 MODEL #: _____
 PROJECT NAME: _____

071317

3601 S. Banker St. Effingham, IL 62401 • P.O. BOX 609 • Ph: (888) 431-2667 • Fax: (800) 433-2667

"GMT" STAINLESS STEEL WORK TABLES



**W/ (2) 3/4" THICK HIGH DENSITY POLYETHLENE TOP
 W/ STAINLESS STEEL BASE & BRACING**

FEATURES:

- 1-1/2" THICK **HIGH DENSITY POLYETHLENE TOP** (W/ 2-3/4" PIECES SECTIONED PER NSF REGULATIONS. (ALSO AVAILABLE W/ 1-1/2" THICK HARD ROCK MAPLE TOP, TOP STYLE "SCT" FLAT TOP)
- TOP IS HELD IN PLACE BY WELDED CLIPS, REMOVABLE FOR EASE IN CLEANING
- STAINLESS STEEL BASE & BRACING, TYPE 300 STAINLESS STEEL W/ #4 POLISH, SATIN FINISH
- ADJUSTABLE BULLET FEET
- SHIPPED STANDARD WELDED SET-UP, AVAILABLE KNOCKDOWN, (MUST SPECIFY)
- APPROVED BY THE NSF & U.S. DEPT. OF AGRICULTURE



MATERIAL:

- TOP: HIGH DENSITY POLYETHLENE
- FRAME: 1-1/2" SQUARE TUBE 18GA TYPE 300 STAINLESS STEEL W/ #4 POLISH, SATIN FINISH
- BRACING: 1-1/4" ROUND O.D. 18GA TYPE 300 TUBULAR STAINLESS STEEL W/ #4 POLISH, SATIN FINISH
- LEGS: 1-5/8" ROUND O.D. 16GA TYPE 300 TUBULAR STAINLESS STEEL W/ #4 POLISH, SATIN FINISH
- FEET: 1" ADJUSTABLE STAINLESS STEEL BULLET FEET

CONSTRUCTION:

- TOP: STAINLESS STEEL BASES ARE TIG WELDED, EXPOSED WELDS ARE POLISHED TO MATCH ADJACENT SURFACE.

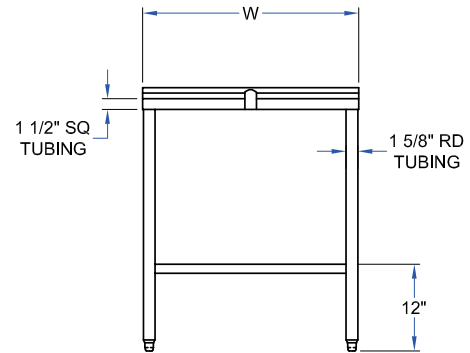
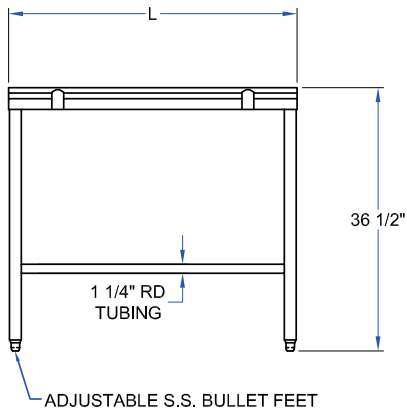
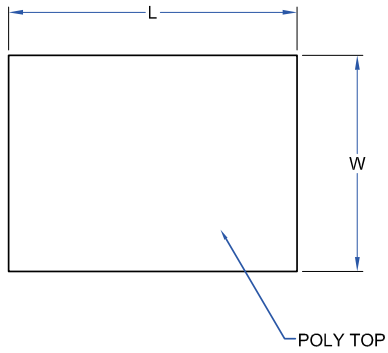
1-1/2" POLY TOP W/ STAINLESS STEEL BASE & BRACING

24" WIDE	QTY	30" WIDE	QTY	36" WIDE	QTY
GMT001		-		-	
GMT002		GMT008		-	
GMT003		GMT009		GMT014	
GMT004		GMT010		GMT015	
GMT005		GMT011		GMT016	
GMT006		GMT012		GMT017	
GMT007		GMT013		GMT018	

OPTIONAL ACCESSORIES

DESCRIPTION	MODEL #	QTY
DRAWER		
DRAWER LOCK		
CASTERS		
LOWER SHELVES		
MEAT BOAT RACKS		
PAPER HOLDER		
POT RACK		
K.D. ASSEMBLE		

DETAILED SPECIFICATIONS



- UNITS 7 FT. AND LARGER ARE FURNISHED WITH SIX LEGS.

1-1/2" POLY TOP W/ STAINLESS STEEL BASE & BRACING

L	24" WIDE	WT. (LBS)	30" WIDE	WT. (LBS)	36" WIDE	WT. (LBS)
24"	GMT001	59	-	-	-	-
30"	GMT002	67	GMT008	79	-	-
36"	GMT003	76	GMT009	89	GMT014	102
40"	GMT004	84	GMT010	96	GMT015	110
50"	GMT005	101	GMT011	120	GMT016	133
60"	GMT006	116	GMT012	137	GMT017	159
72"	GMT007	133	GMT013	150	GMT018	183

SOME UNITS SHIP UNASSEMBLED FOR REDUCED SHIPPING COST. ALL DIMENSIONS ARE TYPICAL. TOLERANCE +/- .500"
 John Boos & Co. is constantly engaged in a program of improving products and therefore reserves the right to change specifications without prior notice.

